

ITEM	HEIGHT	LIGHT SOURCE	INPUT VOLTAGE(V)	OPERATING CURENT (MA)	CONSUMPTION(W)	LUMINANCE (LM)	IK
BB-D9AYL3034 -B	49cm(19.29")	30x0.5W OSRAM	110-277V	90	19.5	2054	05
BB-D9AYM3034-B	89cm(35.03")						

**HOUSING** T=60-80µm Adhesion of ISO class 1/ASTM class 4B 12#  
**LIGHT WINDOW** Die-casting powder coated aluminum.  
**LED** PC  
**LED DRIVER** SMD3030  
**OPERATING** Constant Voltage Input, Constant Current Output  
**TEMPERATURE POWER** -20°C~40°C  
**CABLE** Outside of luminaire  
 110=277V: H05RN-F 3x1.0mm², L=0.5m  
**BASE** Flange Base  
**DIMMING SUPPORT** Triac PWM Available  
 1-10V Dali Customized

### BEAM DEMO

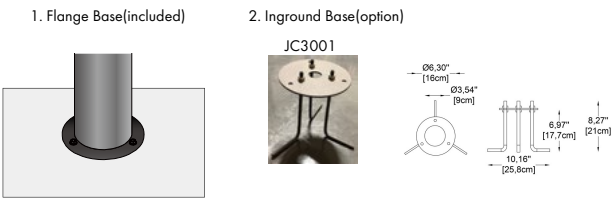


### REGULAR PAINTING COLOR

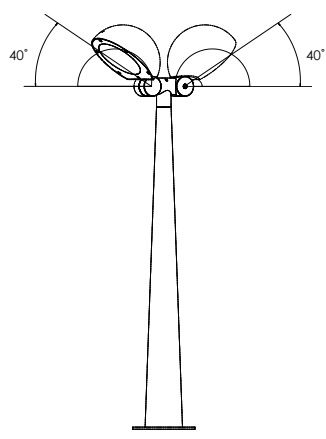
Basic | Secondary

- Sanded Black RAL 9005
- Dark Grey KAP 7037
- Light Sanded Grey RAL 7038

### INSTALLATION BASE



### ADJUSTABLE BEAM DIRECTION

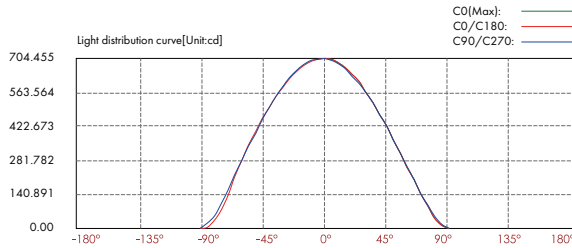
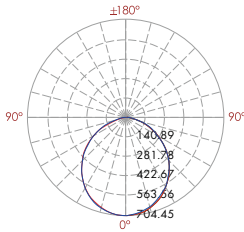
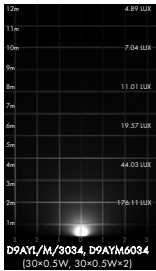


sales@gordonbullarda.com  
 www.bullardbollards.com  
 1-877-964-4646



991 South Gull Lake Dr  
 Richland, MI 49083  
 USA

**PHOTOMETRIC**



Lux distance curve

Center beam LUX	Beam width	
	H	V
2m	5.3m	5.3m
4m	10.6m	10.5m
6m	15.9m	15.8m
8m	21.2m	21.1m
10m	26.5m	26.3m
12m	31.8m	31.6m

Horiz Spread: 105.9 Vert Spread: 105.6



sales@gordonbullarda.com  
www.bullardbollards.com  
1-877-964-4646



991 South Gull Lake Dr  
Richland, MI 49083  
USA