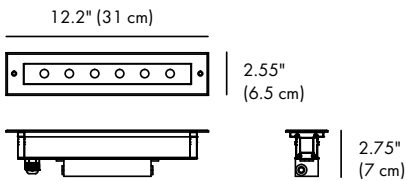


CODE: BO-B2RQB0656P-IN



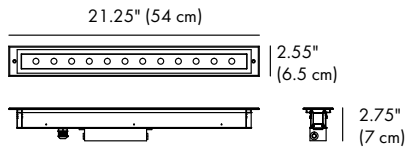
SMALL (S)



CODE: BO-B2RQB1256P-IN



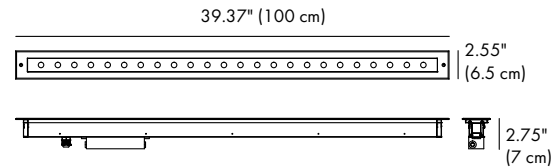
MEDIUM (M)



CODE: BO-B2RQB2456P-IN



LARGE (L)



**LIGHT SOURCE:**

6 × 1.2W

**LENS:**

B15

**SELECTED DEGREE:**

15°

**INPUT VOLTAGE:**

110-277V

**OPERATION CURRENT:**

41 mA

**CONSUMPTION:**

8.7W

**LUMINANCE:**

770 lm

**IK:**

05

**LIGHT SOURCE:**

12 × 1.2W

**LENS:**

B15

**SELECTED DEGREE:**

15°

**INPUT VOLTAGE:**

110-277V

**OPERATION CURRENT:**

72 mA

**CONSUMPTION:**

16.8W

**LUMINANCE:**

1515 lm

**IK:**

05

**LIGHT SOURCE:**

12 × 1.2W

**LENS:**

B15

**SELECTED DEGREE:**

15°

**INPUT VOLTAGE:**

110-277V

**OPERATION CURRENT:**

148 mA

**CONSUMPTION:**

32W

**LUMINANCE:**

1689 lm

**IK:**

05



sales@gordonbullard.com  
www.bullardoutdoor.com


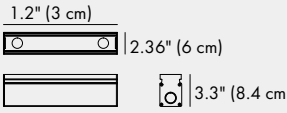


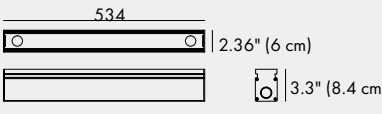
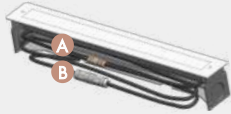

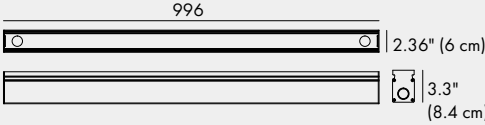
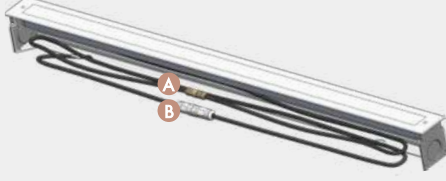


991 South Gull Lake Dr  
Richland, MI 49083

1-877-964-4646 C LISTED US USA

**LIGHTING INFORMATION**

**SLEEVE (Included)**

 <b>BO-B2RQB0656P-IN</b> Recessed sleeve <b>145#</b>	 1.2" (3 cm) 2.36" (6 cm) 3.3" (8.4 cm)	
 <b>BO-B2RQB1256P-IN</b> Recessed sleeve <b>146#</b>	 534 2.36" (6 cm) 3.3" (8.4 cm)	
 <b>BO-2RQB2456P-IN</b> Recessed sleeve <b>147#</b>	 996 2.36" (6 cm) 3.3" (8.4 cm)	

**LIGHTING INFORMATION**

<b>HOUSING</b>	Extruded aluminum, powder coated
<b>FRONT COVER</b>	Hard chrome-plated stainless steel SUS 316L
<b>LIGHT WINDOW</b>	Tempered step glass. T=6mm
<b>LENS</b>	OPTICS lens. efficiency ≥ 85%
<b>CABLE GLAND</b>	IP68 PG-9 PA66
<b>GASKET</b>	Glass and housing are silicone sealed
<b>LED</b>	Single color OSRAM LED
<b>OPERATING TEMPERATURE</b>	-20°C ~ 40°C
<b>POWER CABLE</b>	Outside of luminaire : 110-277V: H05RN-F 3×1.0mm <sup>2</sup> , L=0.5m
<b>MOUNTING SLEEVE</b>	Powder Coated Aluminum
<b>DIMMING SUPPORT</b>	Triac PWM Available 1-10V Dali Customized

**OPTICS** Referenced Degree(°) θ1/2



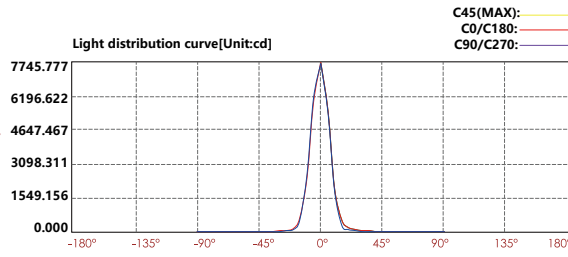
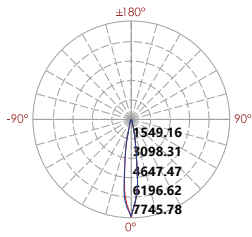
B15 | 10° 15° 20° 30°

sales@gordonbullard.com  
www.bullardoutdoor.com  
1-877-964-4646



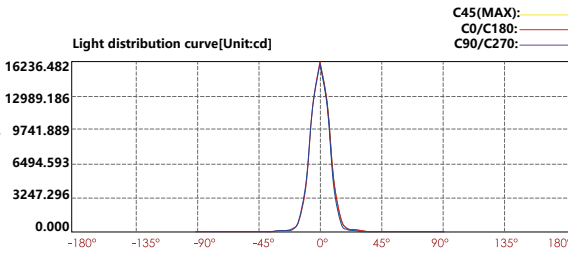
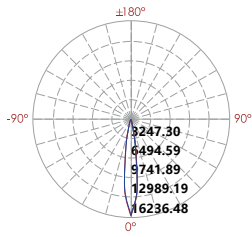
991 South Gull Lake Dr  
Richland, MI 49083  
USA

**PHOTOMETRIC**



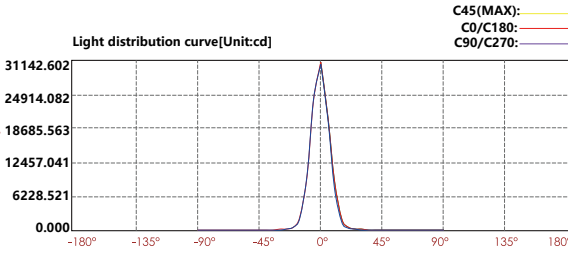
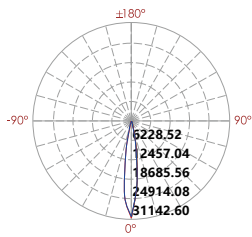
Lux distance cure

	Illuminance at a distance		Beam width	
	Center beam LUX	V	H	H
2m	1936.44 LUX	0.5m	0.5m	
4m	484.11 LUX	1.1m	1.1m	
6m	215.16 LUX	1.6m	1.6m	
8m	121.03 LUX	2.2m	2.2m	
10m	77.46 LUX	2.7m	2.7m	
12m	53.79 LUX	3.3m	3.2m	
	Ver.Spread:15.5	Horiz.Spread:15.4		



Lux distance cure

	Illuminance at a distance		Beam width	
	Center beam LUX	V	H	H
2m	4059.12 LUX	0.5m	0.5m	
4m	1014.78 LUX	1.1m	1.1m	
6m	451.01 LUX	1.6m	1.6m	
8m	253.70 LUX	2.2m	2.2m	
10m	162.36 LUX	2.7m	2.7m	
12m	112.75 LUX	3.2m	3.3m	
	Ver.Spread:15.3	Horiz.Spread:15.5		



Lux distance cure

	Illuminance at a distance		Beam width	
	Center beam LUX	V	H	H
2m	7785.65 LUX	0.5m	0.5m	
4m	1946.41 LUX	1.1m	1.1m	
6m	865.07 LUX	1.6m	1.6m	
8m	486.60 LUX	2.1m	2.2m	
10m	311.43 LUX	2.7m	2.7m	
12m	216.27 LUX	3.2m	3.3m	
	Ver.Spread:15.2	Horiz.Spread:15.5		

## HOW TO ORDER:

CODE:

CODE: BO-B2RQB0656P-IN



SMALL (S)

CODE: BO-B2RQB1256P-IN



MEDIUM (M)

CODE: BO-B2RQB2456P-IN



LARGE (L)

**EXAMPLE:**

BO-B2RQB0656P-IN-B

BO-B2RQB0656P-IN-B

### 1. CHOOSE FIXTURE SIZE:

BO-B2RQB0656P-IN	SMALL
BO-B2RQB1256P-IN	MEDIUM
BO-B2RQB2456P-IN	LARGE

### 2. WATER PROOF SOLUTION (included):

- B **IP67 Jiffy quick plug/socket connector (Option)**  
A IP-67 connector is as an optional assembly and ensures that water vapor will not enter into luminaires directly.

