

CODE:

BO-B5XA0681-UL

LIGHT SOURCE:

6 × 1.5W

LENS / SELECTED DEGREE:

B71 / 24°

INPUT VOLTAGE:

110-277V

OPERATING CURRENT:

416 mA

CONSUMPTION:

10W

LUMINANCE:

800 lm

IK:

08

CODE:

BO-B5YA0365-UL

LIGHT SOURCE:

3 × 5.5W

LENS / SELECTED DEGREE:

B33 / 24°(20°)

INPUT VOLTAGE:

110-277V

OPERATING CURRENT:

830 mA

CONSUMPTION:

20W

LUMINANCE:

1428 lm

IK:

08

CODE:

BO-B5ZA0665-UL

LIGHT SOURCE:

6 × 4.5W

LENS / SELECTED DEGREE:

B33 / 24°(20°)

INPUT VOLTAGE:

110-277V

OPERATING CURRENT:

1350 mA

CONSUMPTION:

30W

LUMINANCE:

2581 lm

IK:

08

WATER PROOF



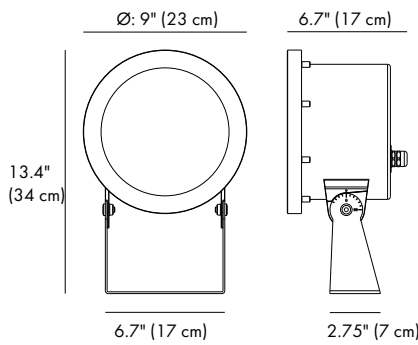
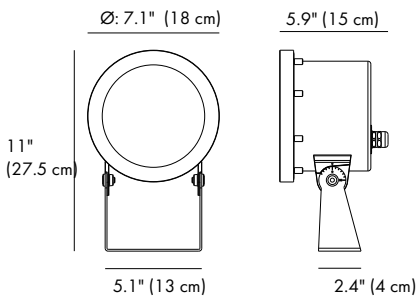
- A Water-Stopper(Included)**
A IP-67 water-stopper is added in the end of luminaires as standard assembly which is also an important system for water resistance.
- B IP68 Jiffy quick plug/socket connector(Optional)**
A IP-68 connector is as an optional assembly and ensures that water vapor will not enter into luminaires directly.



sales@gordonbullarda.com
www.bullardoutdoor.com
1-877-964-4646



991 South Gull Lake Dr
Richland, MI 49083
USA



CODE:

BO-B5DA1259-UL

LIGHT SOURCE:

12 × 3.5W

LENS / SELECTED DEGREE:

B33 / 24°(20°)

INPUT VOLTAGE:

110-277V

OPERATING CURRENT:

1850 mA

CONSUMPTION:

45W

LUMINANCE:

3872 lm

IK:

08

CODE:

BO-B5UA1265-UL

LIGHT SOURCE:

12 × 5W

LENS / SELECTED DEGREE:

B33 / 24°(20°)

INPUT VOLTAGE:

110-277V

OPERATING CURRENT:

2860 mA

CONSUMPTION:

68.5W



LUMINANCE:

5562 lm

IK:

08

OPTICS Referenced Degree(°)θ1/2

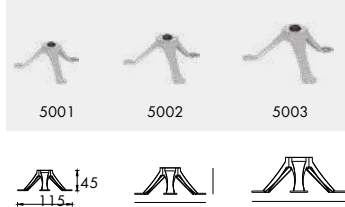
	B71	15°	24°	33°	45°	60°
	B33	9°	15°	20°	45°	60°

LIGHTING INFORMATION

FRONT COVER & HOUSING	Hard chromeplated molding shaped stainless steel SUS 316#
LIGHT WINDOW	PMMA 8mm
GASKET	Silicone gasket
LED	Nichia
CABLE GLAND	IP68 PG-11 copper with nickel-coated
PCB	Excellent heat conductivity aluminum.coefficient of heatConductivity≥2.0w/mk
LED DRIVER	Constant Voltage Input,Constant Current Output
POWER CABLE OPTIONAL	Outside of luminaire : H07RN-F 2×1.0mm ² with water-stopper, L=1m, 3m, 5m
BUILT-IN OVERHEAT SENSOR SYSTEM	Automatic Shutdown at 75°C
OPERATING TEMPERATURE	Temperature of water between -20°C~40°C less than 1 meter depth.
DIMMING SUPPORT	Triac PWM Available 1-10V Dali Customized

ACCESSORIES

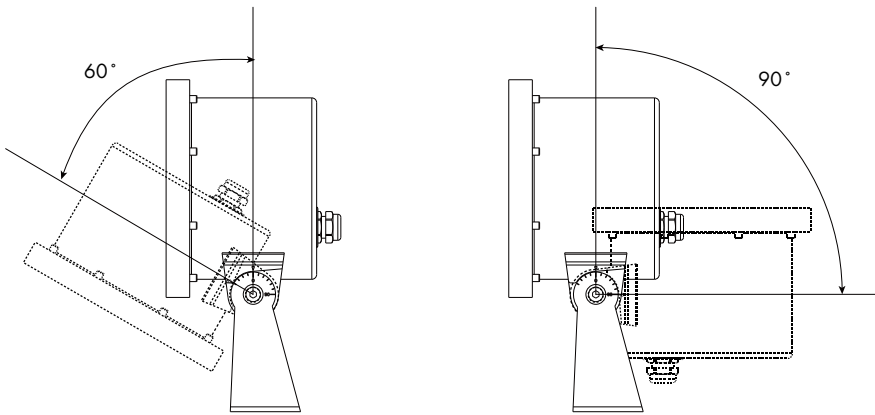
TRIPOD



I'D	Fitted Item
5001	BO-B5XA0681-UL
5002	BO-B5YA03650-UL
5003	BO-B5ZA0665-UL BO-B5DA1259-UL BO-B5UA12650-UL



ADJUSTABLE BEAM DIRECTION



OVERVIEW

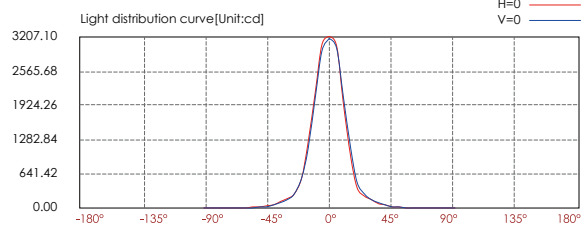
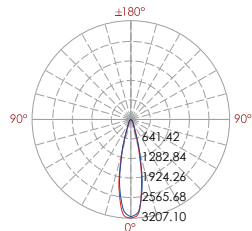
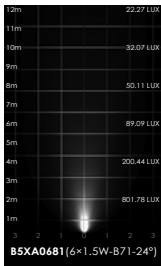


sales@gordonbullarda.com
www.bullardoutdoor.com
1-877-964-4646 C



991 South Gull Lake Dr
Richland, MI 49083
USA

PHOTOMETRIC

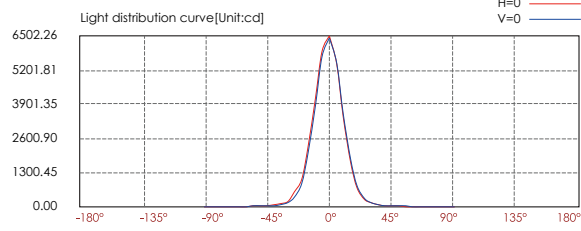
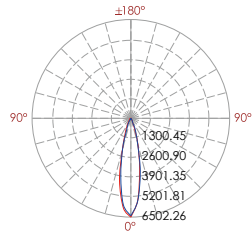
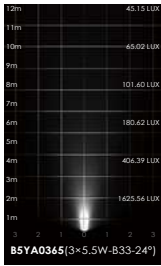


Lux distance cure

illuminance at a distance

Center beam LUX	Beam width V	H
2m	0.9m	0.9m
4m	1.8m	1.8m
6m	2.7m	2.7m
8m	3.5m	3.6m
10m	4.4m	4.5m
12m	5.3m	5.3m

Ver.Spread: 25.0 Horiz.Spread: 25.1

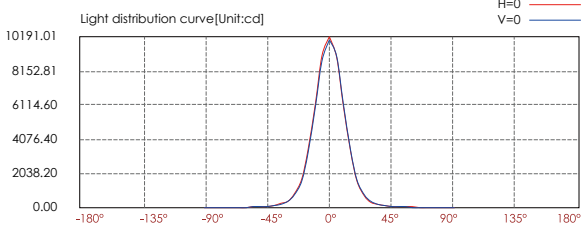
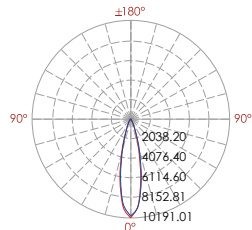
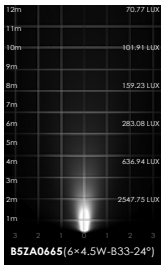


Lux distance cure

illuminance at a distance

Center beam LUX	Beam width V	H
2m	0.8m	0.8m
4m	1.6m	1.6m
6m	2.5m	2.4m
8m	3.3m	3.2m
10m	4.1m	4.0m
12m	4.9m	4.9m

Ver.Spread: 23.2 Horiz.Spread: 22.9

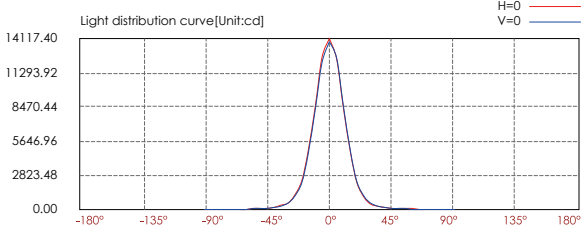
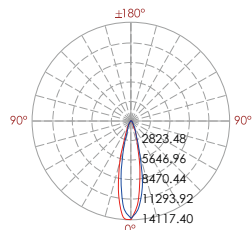


Lux distance cure

illuminance at a distance

Center beam LUX	Beam width V	H
2m	0.9m	0.9m
4m	1.7m	1.7m
6m	2.6m	2.6m
8m	3.5m	3.4m
10m	4.3m	4.3m
12m	5.2m	5.1m

Ver.Spread: 24.4 Horiz.Spread: 24.2

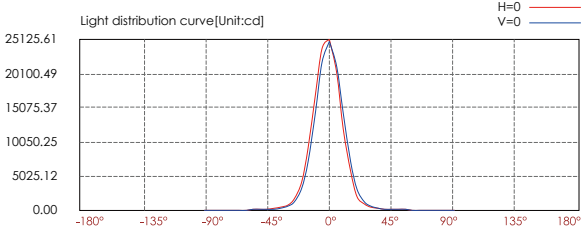
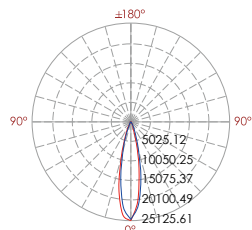
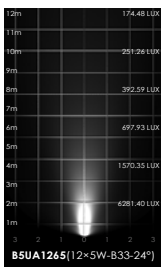


Lux distance cure

illuminance at a distance

Center beam LUX	Beam width V	H
2m	0.9m	0.9m
4m	1.7m	1.7m
6m	2.6m	2.6m
8m	3.5m	3.4m
10m	4.3m	4.3m
12m	5.2m	5.1m

Ver.Spread: 24.1 Horiz.Spread: 24.1



Lux distance cure

illuminance at a distance

Center beam LUX	Beam width V	H
2m	0.8m	0.8m
4m	1.6m	1.6m
6m	2.4m	2.4m
8m	3.2m	3.2m
10m	4.0m	4.0m
12m	4.8m	4.8m

Ver.Spread: 22.8 Horiz.Spread: 22.8

sales@gordonbullarda.com
www.bullardoutdoor.com
1-877-964-4646



991 South Gull Lake Dr
Richland, MI 49083
USA