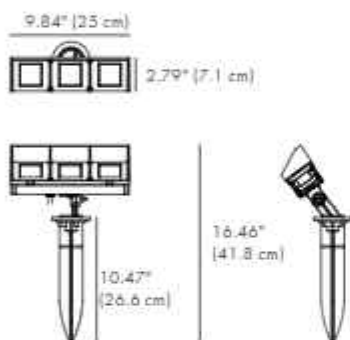


CODE BO-B3IA0366-SP



SMALL (S)



LIGHT SOURCE:

3 x 7.2W NICHIA

LENS:

A24A

SELECTED DEGREE:

15°

INPUT VOLTAGE:

110-277V

OPERATION CURRENT:

1153 mA

CONSUMPTION:

27.7 W

LUMINANCE:

1745 lm

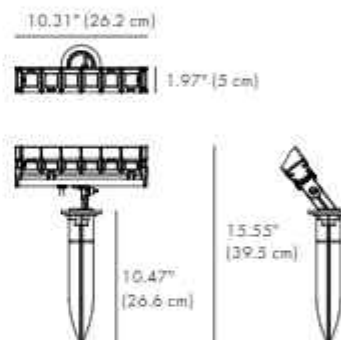
IK:

05

CODE BO-B3KA0657-SP



MEDIUM (M)



LIGHT SOURCE:

6 x 2W OSRAM

LENS:

B17

SELECTED DEGREE:

20°

INPUT VOLTAGE:

110-277V

OPERATION CURRENT:

491 mA

CONSUMPTION:

11.8 W

LUMINANCE:

677 lm

IK:

06



sales@gordonbullard.com
www.bullardoutdoor.com



991 South Gull Lake Dr
Richland, MI 49083
USA

1-877-964-4646

HOUSING	Extruded aluminum, powder coated
LENS	OPTICS lens, efficiency > 85%
LIGHT WINDOW	Tempered glass, T=4mm
CABLE GLAND	IP-68 PG-9 PA66
GASKET	Glass and housing are silicone sealed
LED	NICHIA SMD 3535
CRI	90
CCT	3000K / 3500K / 4000K / 5000K / Custom on request
OPERATING TEMPERATURE	-20°C - 40°C
POWER CABLE	Outside of luminaire 110-277V, H05RN-F 3x1.0mm ² , L=2.0m
SPIKE	ABS spike 7C

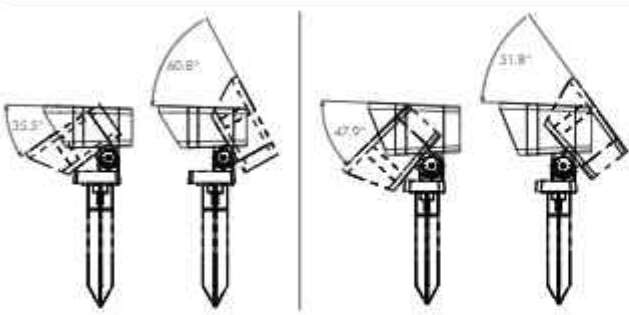
FINISH OPTIONS

	Dark Grey KAP 7027		Silver Gray KAP 9022		Sanded Black RAL 9005
--	-----------------------	---	-------------------------	---	--------------------------

OPTICS Referenced Degree(°) @ 1/2

	A24A	15°	30°	15°x30°	15°x45°
	B17	15°	20°	30°	45°

ADJUSTABLE BEAM DIRECTION Approximately

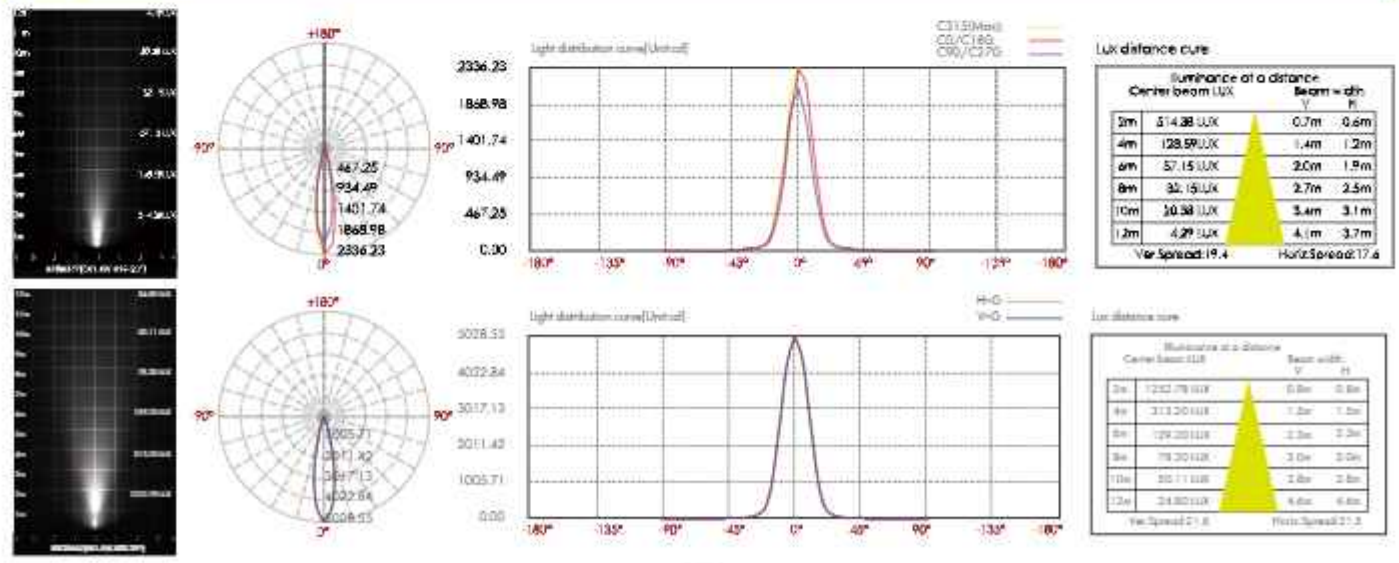


WATER PROOF SOLUTION



- A Water-Stopper (Included)**
A IP-68 water-stopper is added in the end of luminaires as standard assembly which is also an important system for water resistance.
- B IP67 Jiffy quick plug/socket connector (Option)**
A IP-67 connector is as an optional assembly and ensures that water vapor will not enter into luminaires directly.

PHOTOMETRIC



sales@gordonbullard.com
www.bullardoutdoor.com
1-877-964-4646



991 South Gull Lake Dr
Richland, MI 49083
USA

ASTRID COLLECTION

HOW TO ORDER:

CODE:

CODE: BO-B3IA0366-SP



SMALL (S)

CODE: BO-B3KA0657-SP



MEDIUM (M)

EXAMPLE:

BO-B3IA0366-SP-KAP7037-A-B

1. CHOOSE FIXTURE SIZE:

BO-B3IA0366-SP	SMALL
BO-B3KA0657-SP	MEDIUM

2. CHOOSE CCT

-K30	3000K
-K35	3500K
-K40	4000K
-K50	5000K
-CUS*	Custom on request

3. BODY FINISH OPTIONS:

	-KAP 7037	Dark Grey
	-KAP 9022	Silver Grey
	-RAL 9005	Sanded Black

HOW TO ORDER:

CODE:

CODE: BO-B3IA0366-SP



SMALL (S)

CODE: BO-B3KA0657-SP



MEDIUM (M)

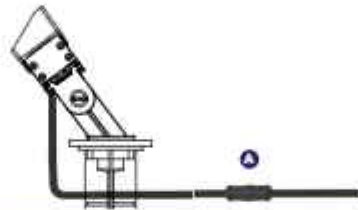
EXAMPLE:

BO-B3IA0366-SP-KAP7037-A-B

4. WATER PROOF SOLUTION (included)

-A A Water-Stopper (Included)

A IP-66 water-stopper is added in the end of luminaires as standard assembly which is also an important system for water resistance.



5. WATER PROOF SOLUTION (optional):

-B IP67 Jiffy quick plug/socket connector (Option)

A IP-67 connector is as an optional assembly and ensures that water vapor will not enter into luminaires directly.

