



FIXTURE TYPE: _____

PROJECT NAME: _____



GENERAL INFORMATION:

Pint is an extremely elegant and linear high table. It is ideal to give personality in every kind of indoor and outdoor setting, thanks to its minimalist design but at the same time eccentric soul, particularly in its luminous version. The conical shape of Pint matches perfectly with the round tempered glass top, which gives a more sophisticated look to events and contract.

FIXTURE TYPE:

Illumination Furniture

VOLTAGE:

110-277V



MATERIAL:

Polyethylene + Tempered Glass

IP RATING:

IP 20 / IP 55



APPLIANCE CLASS:

II



FINISH OPTIONS:

Light white
Satinated glass

WARRANTY

Lighting products are warranted for 5 years.

BUILT FOR THE STORM

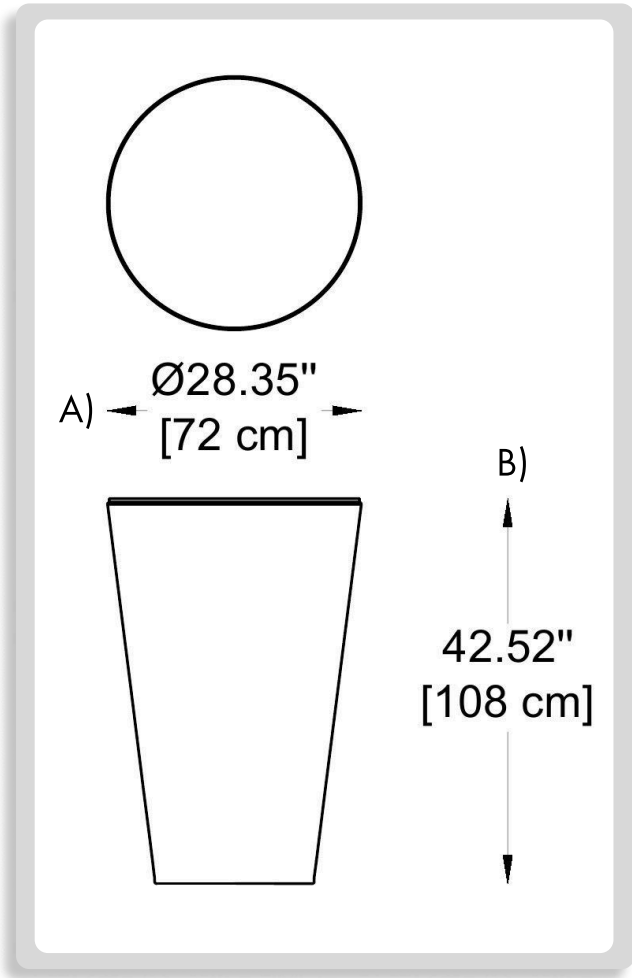
sales@gordonbullard.com
www.bullardoutdoor.com
1-877-964-4646



991 South Gull Lake Dr
Richland, MI 49083
USA

FIXTURE TYPE: _____

PROJECT NAME: _____



HOW TO ORDER:

CODE:

Example:
CODE: BO-SDMO-IF-IN

BO-SDMO-
IF-IN

1 DIMENSIONS:

A) Height - H: 42,52" (108 cm)
B) Diameter - Ø: 28,35" (72 cm)

2 LIGHT SOURCE:

E26 / 1 x max. 15W / 110-277V

3 FINISH OPTION:

Light white
Satinated glass

4 WIRING:

Indoor version:
Transparent cable (Length: 5 ft)
Outdoor version:
Black cable (Length: 10 ft)

5 WEIGHT:

56,2 lb

6 LOCATION:

-IN Indoor
-OUT Outdoor

7 ACCESSORIES (included):

Table-top glass

BUILT FOR THE STORM

sales@gordonbullard.com
www.bullardoutdoor.com
1-877-964-4646



991 South Gull Lake Dr
Richland, MI 49083
USA