



FIXTURE TYPE: _____

PROJECT NAME: _____



GENERAL INFORMATION:

X2 is a luminous table designed primarily for the contract world, ideal for indoor and outdoor settings. Its X-shaped base makes the table particularly functional, giving it stability and strength, but we don't forget a touch of refined brightness. The square top gives a linear and minimalist design to the high table, and for this reason X2 is ideal for every type of furnishing.

FIXTURE TYPE:

Illumination Furniture

VOLTAGE:

110-277V



MATERIAL:

Polyethylene

IP RATING:

IP 20 / IP 55

IP20

IP 55

APPLIANCE CLASS:

II



FINISH OPTION:

Light white

WARRANTY

Lighting products are warranted for 5 years.

BUILT FOR THE STORM

sales@gordonbullard.com

www.bullardoutdoor.com

1-877-964-4646



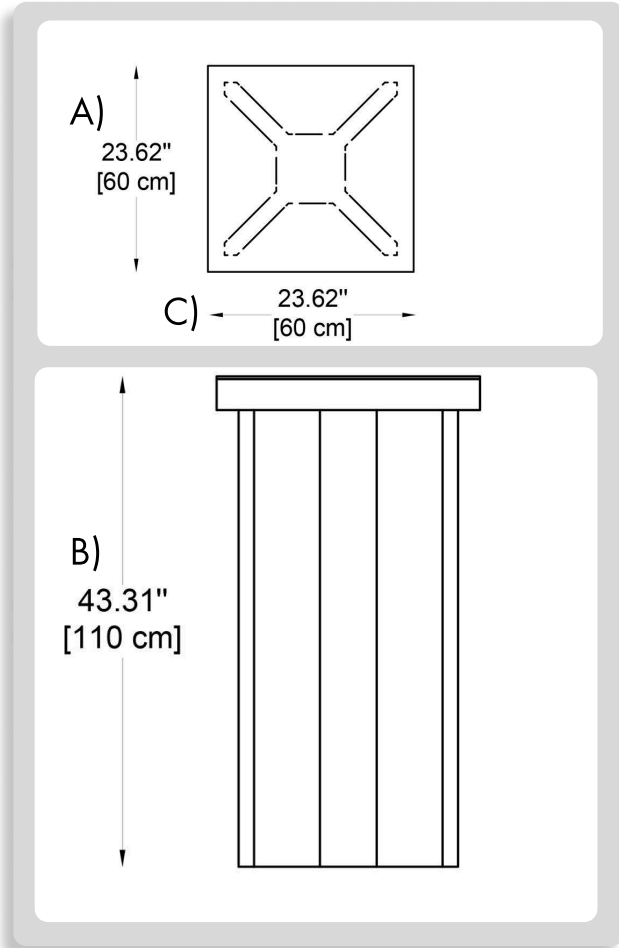
991 South Gull Lake Dr

Richland, MI 49083

USA

FIXTURE TYPE: _____

PROJECT NAME: _____



HOW TO ORDER:

CODE:

Example:
CODE: BO-XOX110-IF-IN

BO-XOX110-
IF-IN

1 DIMENSIONS:

A) Length - L: 23,62" (60 cm)
B) Height - H: 43,30" (110 cm)
C) Width - W: 23,62" (60 cm)

2 LIGHT SOURCE:

E26 / 1 x max. 15W / 110-277V

3 FINISH OPTION:

Light white

4 WIRING:

Indoor version:

Transparent cable (Length: 5 ft)

Outdoor version:

Black cable (Length: 10 ft)

5 WEIGHT:

33,06 lb

6 LOCATION:

-IN Indoor
-OUT Outdoor

7 ACCESSORIES (not-included):

Table Top

CODE: -111

Material:

Tempered glass (clear glass)

Dimensions:

L: 23,62" (60 cm)
H: 1,96" (0,5 cm)
W: 23,62" (60 cm)



BUILT FOR THE STORM

sales@gordonbullard.com

www.bullardoutdoor.com

1-877-964-4646



991 South Gull Lake Dr

Richland, MI 49083

USA